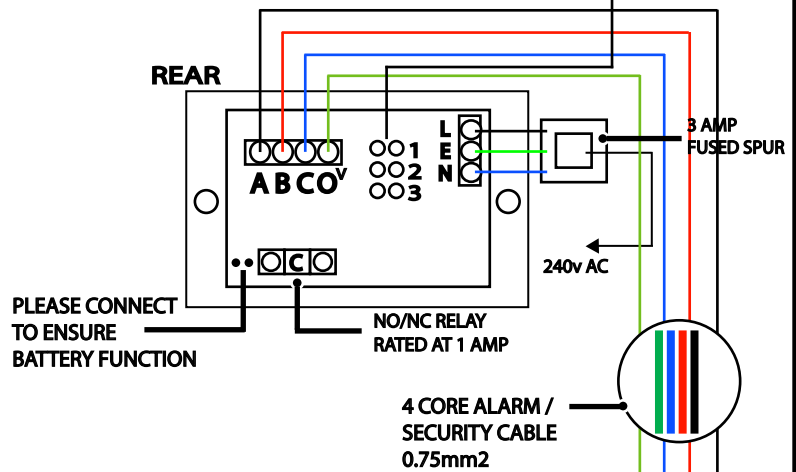
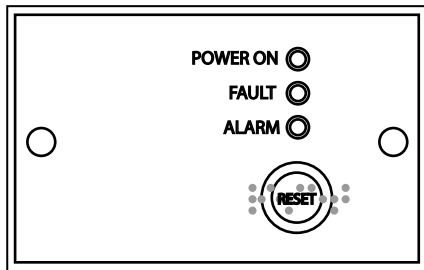


# INSTALLATION DETAILS

See Installation Notes for Settings

## MAIN CONTROLLER

FRONT

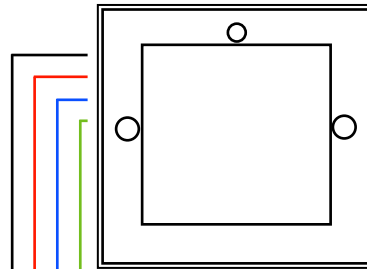


**PLEASE NOTE:**  
 ANCILLARY UNITS CAN BE INSTALLED IN ANY FORMAT FROM MAIN CONTROLLER - SCHEMATIC WIRING ROUTE IS SHOWN AS AN EXAMPLE ONLY.

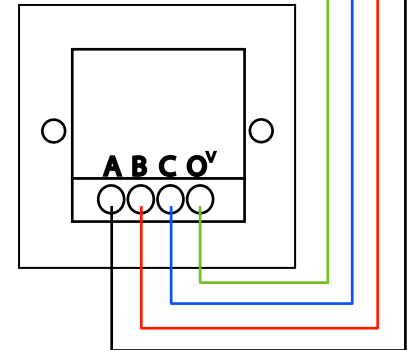
FOR SURFACE MOUNT STANDARD BACK BOXES REQUIRED (NOT INCLUDED WITH KIT)

## OVERDOOR INDICATOR LAMP

FRONT

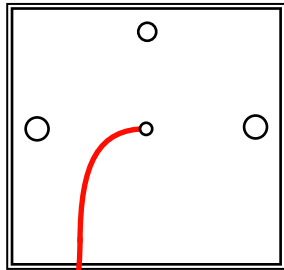


REAR

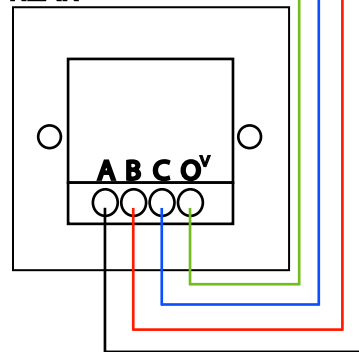


## PULL CORD FOR ASSISTANCE

FRONT

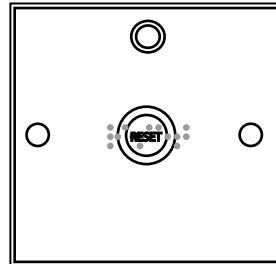


REAR

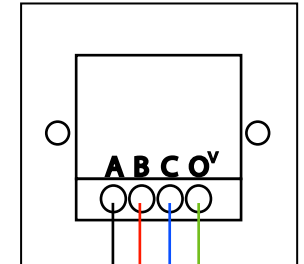


## RESET UNIT

FRONT



REAR



## OPERATION

In the case that the Pull for Assistance Cord is initiated the following instances will occur until the reset buttons on either the Main Controller or Reset Unit are pressed:

1. The Reassurance Alarm LED indicator on the PULL FOR ASSISTANCE CORD will flash.
2. The Reassurance Alarm LED indicator on the RESET UNIT will flash.
3. The Twin High Bright LED's in the OVERDOOR INDICATOR LAMP will flash and the AUDIBLE SOUNDER will beep.
4. The Alarm LED on the MAIN CONTROLLER will also flash and the AUDIBLE SOUNDER will beep.

TO RESET THE UNIT, ONE OF TWO OPTIONS ARE AVAILABLE:

1. Press the Reset button on the RESET UNIT or,
2. Press the Reset button on the MAIN CONTROLLER short setting 1 only (if this option is used the system will automatically reset itself on reset).

For maintenance purposes the testing of LED's AUDIBLE SOUNDERS and Battery can be tested by pressing the reset button on the MAIN CONTROLLER at any time.

# INSTALLATION NOTES

**After Installation please observe the following points.**

## **At Start-up :**

To Power Up - connect the Battery, Switch on the mains and then press the Reset Button on the Main Unit - ALL LED's are ON for about two seconds (LED Test), then the External Alarm and Sounder on the Main Board are Triggered for 1 second.

After approximately 10 seconds the battery is tested. It is normal for the Fault LED to be ON without any beeps to show the Battery is charging or not connected. (see **New (low)** or **Battery not connected** under Fault Conditions below).

The system is now active and in Stand-By mode.

## **Activating the Pull Cord(Alarm Condition) :**

When activating the Pull Cord the **Alarm LED** on the Main Board will be ON, sound will be activated, ALL external LED's will flash. There is no timeout for the Alarm Condition.

If the Pull Cord remains in the Pull Down state (eg closed) the Alarm Condition cannot be reset, the Pull Cord must be released first.

## **Pressing the External Reset Button :**

When Pressing the External Reset Button the Alarm Condition is cancelled, the sound will stop and the system will return to Stand-By mode.

If the Reset Button remains in the Closed State, the Button is effectively disabled until the Button is released.

## **Pressing the Reset Button on the Main Unit :**

**Short 1** = When the system is in Alarm pressing the Reset Button on the Main Unit cancels all Alarm Conditions, the sound will stop and a Systems Test will be activated as in **Systems Start-Up** above.

**Short 2** = When the system is in Alarm the Reset Button on the Main Unit is **Disabled Completely**, Alarm is cancelled only by Remote Reset Button. All external Alarms and signals operate as normal.

**Short 3** = When the System is in Alarm the Reset Button on the Main Unit is pressed the Sound on the Main Unit is Muted, the Alarm LED on Main Unit will continue to flash until Remote Reset Button is pressed. All external Alarms and signals operate as normal.

A System Test can be conducted at any time by pressing the Reset Button on the Main Unit. Whilst the system is not in alarm.

## **FAULT CONDITIONS :**

### **Mains Fail :**

Mains Fail will be indicated with the **Fault LED** flashing and a short beep every 10 seconds. the **Mains LED** will also be OFF.

### **New (low) or Battery not connected :**

During **Start-Up** mode the Battery is checked. If the Battery has been connected the **Fault LED** is normally On to indicate Battery charging in case of new (low) Battery. After approximately 10 minutes the Battery is checked again.

After 10 minutes: if the **Fault LED** remains ON and a beep is heard every 10 seconds along with the **Alarm LED** flashing, check to see that the Battery is connected and press Reset to reactivate Start-up mode. If after pressing Reset and have waited for a further 10 minutes, that the **Fault LED** is still ON with the beep and the **Alarm LED** is flashing - the Battery is faulty.

If the **Fault LED** remains ON without the beep - this indicates that the Battery is being charged and the **Fault LED** will go out when a set level of charge is achieved (this can take several hours).

### **Wiring Faults :**

If the Pull Cord or External Reset Button are disconnected the **Fault LED** on the Main Board will be On permanently and a short beep External Indicator will sound every 0.5 seconds.